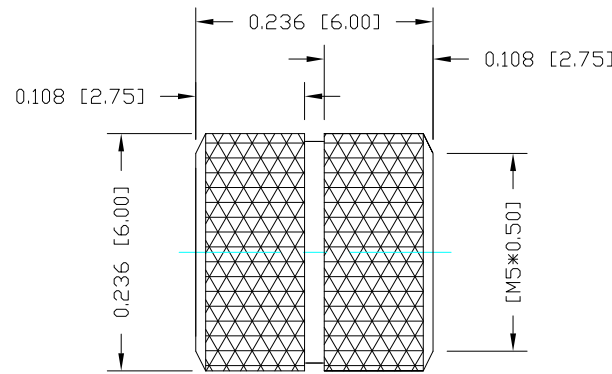
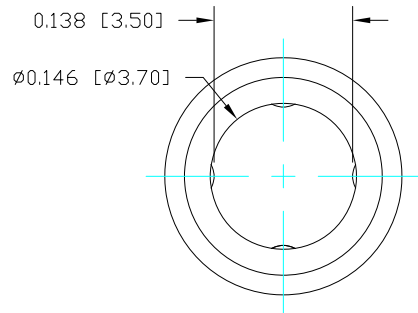
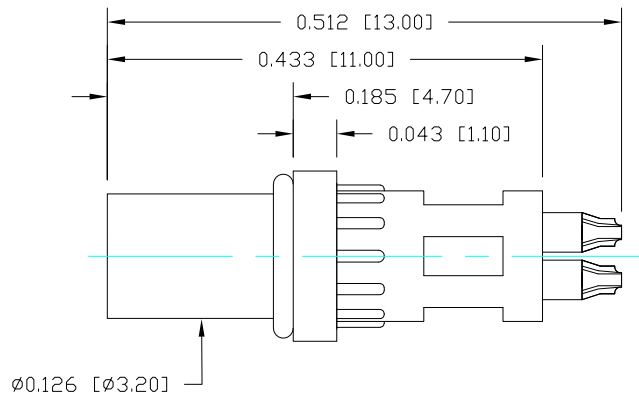
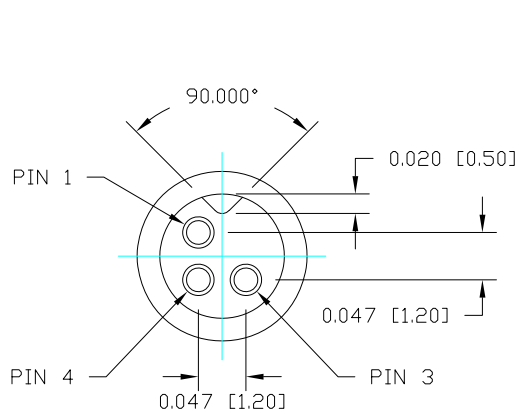


DESCRIPTION: M5 FEMALE - CABLE MOUNT - SOLDER CUP - 3 POSITION



NUT

NOTE:

MATERIAL

HOUSING: TPU, BLACK
 CONTACT: PHOSPHOR BRONZE
 NUT: BRASS
 O-RING: NBR, BLACK

FINISH

CONTACT: GOLD PLATED
 OVER 50μ NICKEL
 SATIN NICKEL

NUT:

ELECTRICAL

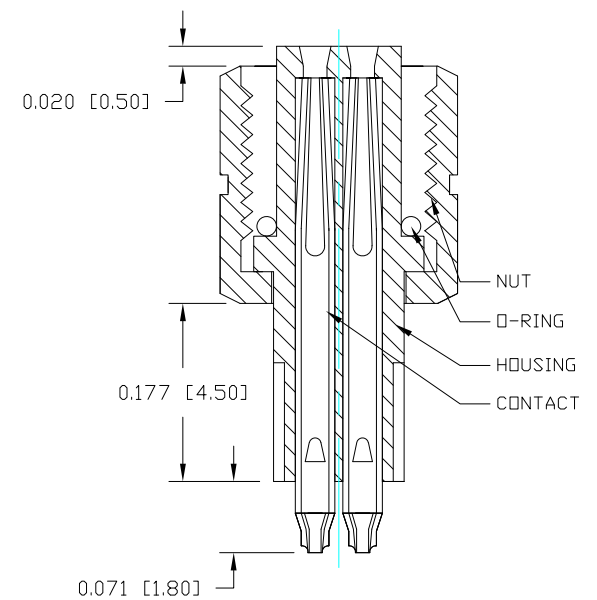
RATED CURRENT: 1A
 RATED VOLTAGE: 60V
 INSULATION RESISTANCE: 1000 MΩ MIN.
 CONTACT RESISTANCE: 10 mΩ MAX.
 WATER PROOF: IP67

ENVIRONMENT

OPERATION TEMPERATURE: -40°C TO +85°C
 WIRE GAUGE: 26-28 AWG
 MATING TORQUE = 1.5 in lbs max.

850-003-203RLUY

1 = GOLD FLASH
 4 = 10μ" GOLD



RoHS COMPLIANT

DO NOT SCALE FROM DRAWING



THESE DRAWINGS AND SPECIFICATIONS ARE THE PROPERTY OF NorComp AND SHALL NOT BE REPRODUCED, COPIED OR USED AS THE BASIS FOR THE MANUFACTURE OR SALE OF APPARATUS WITHOUT WRITTEN PERMISSION.

DRAWN: M. SIGMON

DATE: 03-03-16

CHECKED:

DATE:

NorComp

SCALE: NTS

SHEET 1 OF 1

REV 4

DWG NO.

850-003-203RLUY