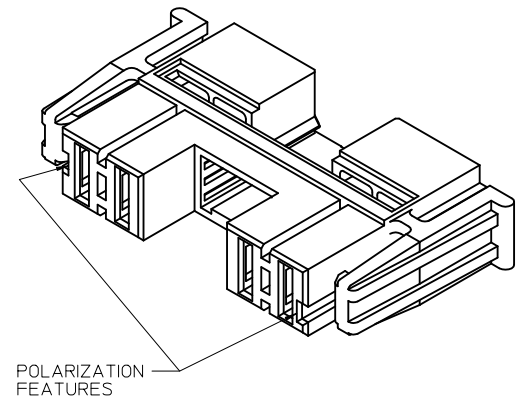
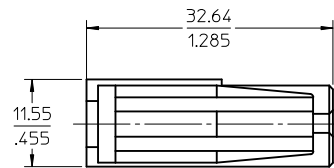
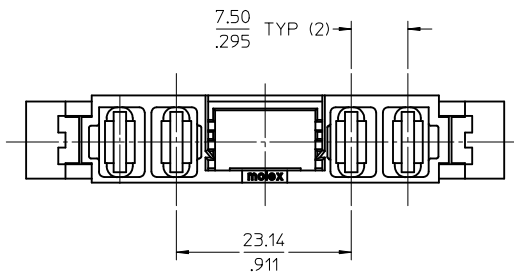
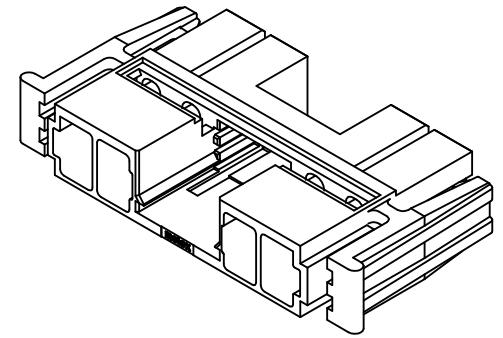
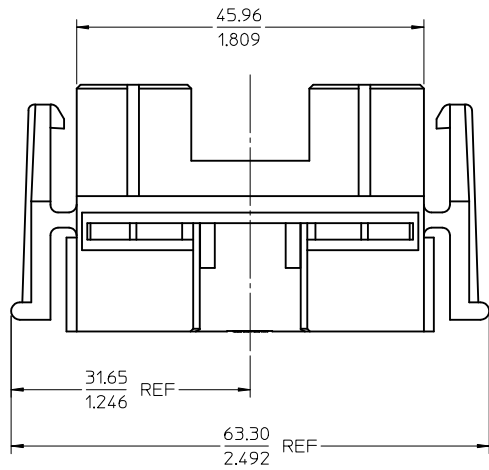


NOTES:

1. MATERIAL: 94V0 - COLOR BLACK
2. HOUSING FOR USE WITH:
POWER TERMINAL SERIES 44262-4XXX
SIGNAL TERMINAL 70058-XXXX
SIGNAL HOUSING P/N 46709-XXX5
REQUIRES TPA 46708-0001
3. PRODUCT SPECIFICATION: PS-44262-200
4. HOUSING IS ROHS COMPLIANT
5. HOUSING MATES WITH PLUG ASSEMBLY 46437-1023
6. MAXIMUM ALLOWABLE WIRE DIAMETER FOR POWER TERMINALS IS 6.35/.250



REV DOCUMENT NO EC NO: UCP2011-3253 DRWN:MDATA 2009/02/12 CHKD:APATEL 2011/04/20 APPR:APATEL 2011/04/27	DESCRIPTION QUALITY SYMBOLS ▽=0 ▽=0 ▽=0	GENERAL TOLERANCES (UNLESS SPECIFIED)		DIMENSION STYLE MM/IN		SCALE 2:1	DESIGN UNITS METRIC	THIRD ANGLE PROJECTION			
		4 PLACES ± --- ± ---	3 PLACES ± --- ± .010	2 PLACES ± 0.25 ± .014	1 PLACE ± 0.36 ± ---	DRAWN BY JQUILES	DATE 2008/02/27	HOUSING - RECEPTACLE TEN60 WIRE HALOGEN FREE			
		ANGULAR ±1/2°				CHECKED BY MDATA	DATE 2008/02/28				
		DRAFT WHERE APPLICABLE MUST REMAIN WITHIN DIMENSIONS				APPROVED BY APATEL 2011/04/27		MOLEX INCORPORATED		SHEET NO. 1 OF 1	
MATERIAL NO. 46707-0001				DOCUMENT NO. SD-46707-001		THIS DRAWING CONTAINS INFORMATION THAT IS PROPRIETARY TO MOLEX INCORPORATED AND SHOULD NOT BE USED WITHOUT WRITTEN PERMISSION					