

SUMMARY



Image is for illustrative purpose only

Wires

Low	3
High	0
Coax	1
Triax	0
Quad	0
Fiber	0
Fluidic	0

Download

[Request a quote](#)

[Catalog](#)

Series	1B
Termination type	Mixed coaxial/ Multi coax
IP rating	50
Cable Ø	0.00 - 0.00 mm
Matching parts	FGG.1B.803.CLAD722
Status	
Alternative part	

TECHNICAL DETAILS

Mechanics

Shell Style/Model	EH*: Fixed receptacle, nut fixing and protruding shell
Keying	1 key (alpha=0, plug: male contacts, receptacle: female contacts)
Housing Material	Brass (chrome plated) shell and collet nut, nickel plated brass latch sleeve and mid pieces
Cable Fixing	∅ 0 - 0 mm
Variant	

Performance

Configuration	
Insulator	L: PEEK (UL 94 / V-0/3.2, depends on material thickness)
Rated Current	10 Amps

Specifications

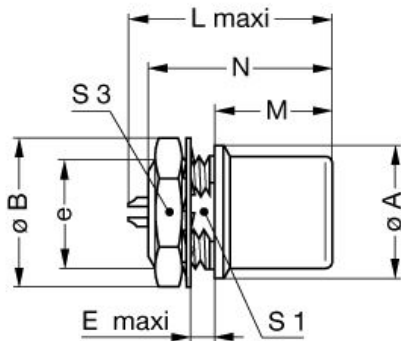
Contact Type:	Coaxial 50 Ohm (Solder) Type F
Test voltage (kV rms):	0.75
Test voltage (kV dc):	1.05
Cable type:	RG 178 B/U, RG 196 A/U

Others

Temp (min / max): -55° C / +250° C
 Humidity (max): <=95% [at 60 deg C /140 F]
 Vibration: 15 g [10 Hz - 2000 Hz]
 Shock Resistance: 100 g [6 ms]
 Salt Spray Corrosion: >1000 hr
 Climatical Category: 50/175/21
 Shielding (min): 75 dB (10 MHz)
 Shielding (min): 40 dB (1 GHz)
 IP Rating: 50

DRAWINGS

Draws



Dimensions

	A	B	E	L	M	N	S1	S3	e
mm.	14	16	4.0	21.7	12	21.1	10.5	14	M12x1.0
in.	0,55	0,63	0,16	0,85	0,47	0,83	0,41	0,55	

RECOMMENDED BY LEMO

Tools

Extractor: -
 Coax Tool: DCC.91.019.1LA
 Die Tool: DPE.99.025.45K

Cables

CMN.03.B12.113PLZ			
-------------------	--	--	--