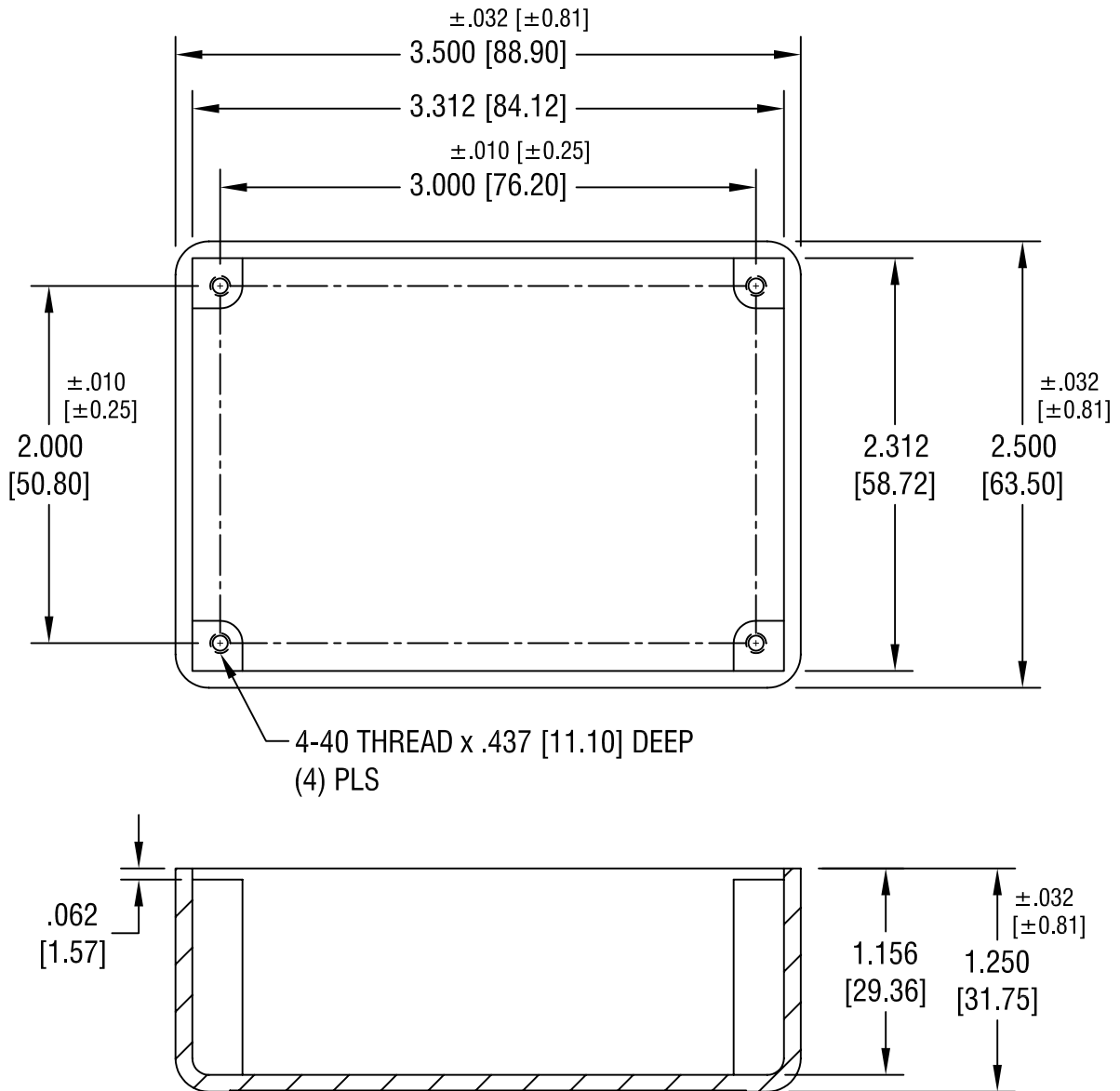


THIS DOCUMENT IS THE PROPERTY OF
KEYSTONE ELECTRONICS CORP. AND
SHALL NOT BE REPRODUCED, DISTRIBUTED
OR USED AS A BASIS FOR MANUFACTURE
WITHOUT PRIOR WRITTEN PERMISSION
FROM KEYSTONE ELECTRONICS CORP.



KEYSTONE ELECTRONICS CORP.

ASTORIA, N.Y. 11105-2017

PART NAME

PHENOLIC INSTRUMENT CASE

MATERIAL

PHENOLIC, MOLDED GLOSSY BLACK

FINISH

-

DRN BY

BOONE

DATE

7.22.93

APP'D

LN

SCALE

1X

8.1.07 CHANGE AS PER ECN 07-043

A

TOLERANCES

INCH [MM]

CODE

DWG NO.

DECIMAL ±.015 [±0.38]

C/M

ANGULAR ± 1°
UNLESS OTHERWISE SPECIFIED

715

DATE

DESCRIPTION

REV.