

4

3

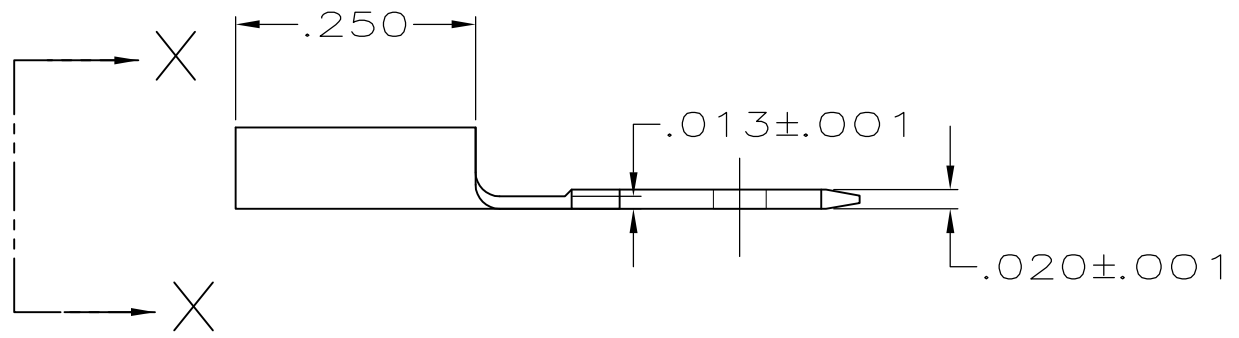
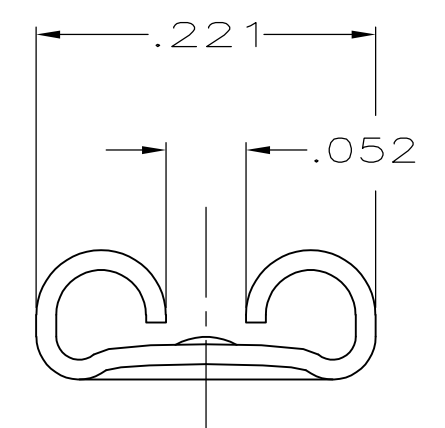
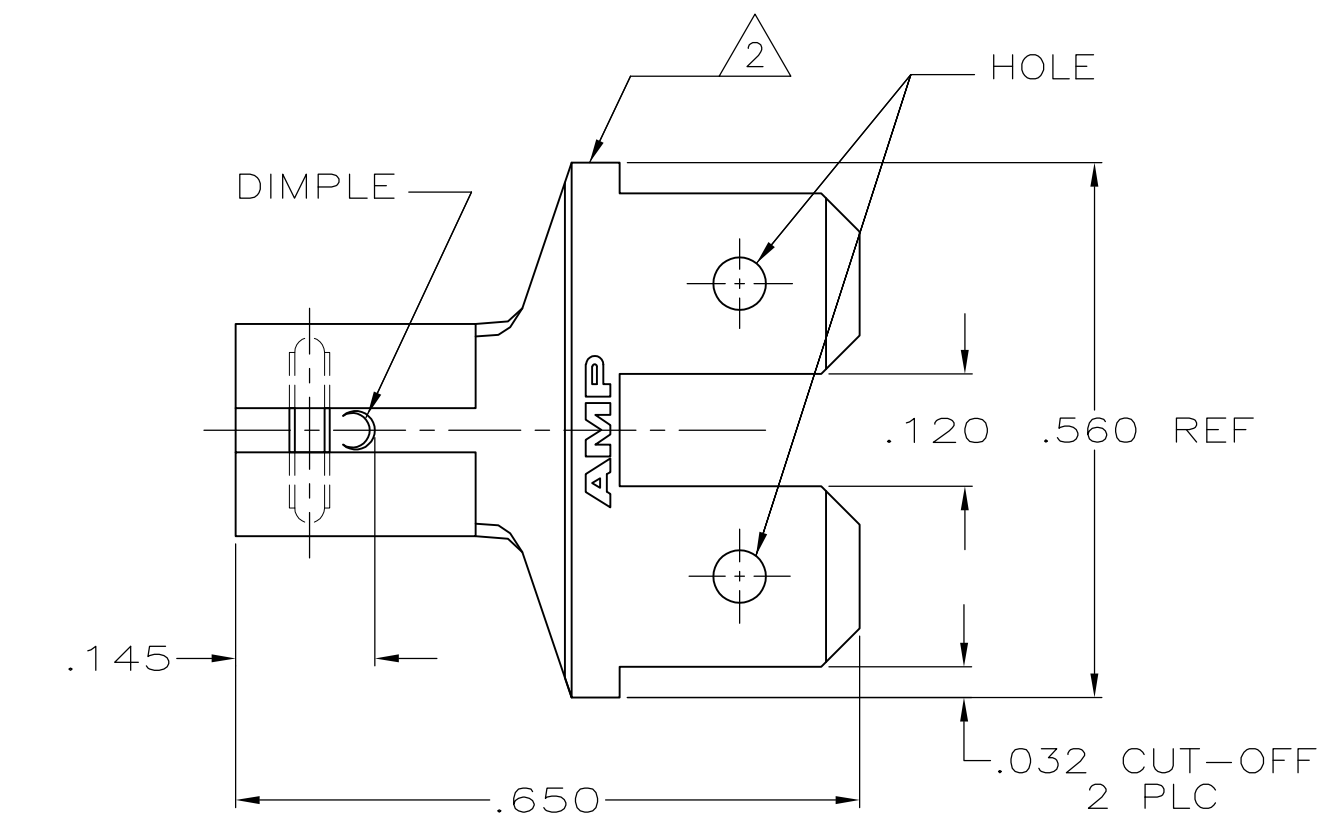
2

1

THIS DRAWING IS UNPUBLISHED. RELEASED FOR PUBLICATION
 © COPYRIGHT - By - ALL RIGHTS RESERVED.

LOC	DIST	REVISIONS			
P	LTR	DESCRIPTION	DATE	DWN	APVD
AF	50	H	REVISED PER ECR-12-013459	28NOV2012	KH PD

1 SUPPLIED IN LOOSE PIECE.
 2 BARE EDGES PERMITTED.



OBSOLETE	.020	TIN	61045-2
		-	61045-1
	MATING TAB THK	FINISH	PART NUMBER

THIS DRAWING IS A CONTROLLED DOCUMENT.		DWN	JR RUTH	9/15/92	STE TE Connectivity		
DIMENSIONS: INCHES		CHK	MS FEHER	9/15/92			
TOLERANCES UNLESS OTHERWISE SPECIFIED:		APVD	C MEYERS	9/15/92	NAME		
0 PLC ± -		PRODUCT SPEC		ADAPTER, FASTON, .187 SERIES			
1 PLC ± -		APPLICATION SPEC		SIZE	CAGE CODE	DRAWING NO	RESTRICTED TO
2 PLC ± -		MATERIAL		A300779		C-61045	-
3 PLC ± .015		FINISH		CUSTOMER DRAWING			SCALE
4 PLC ± -		SEE TABLE		5:1			SHEET
ANGLES ± -				1 OF 1			REV
				H			